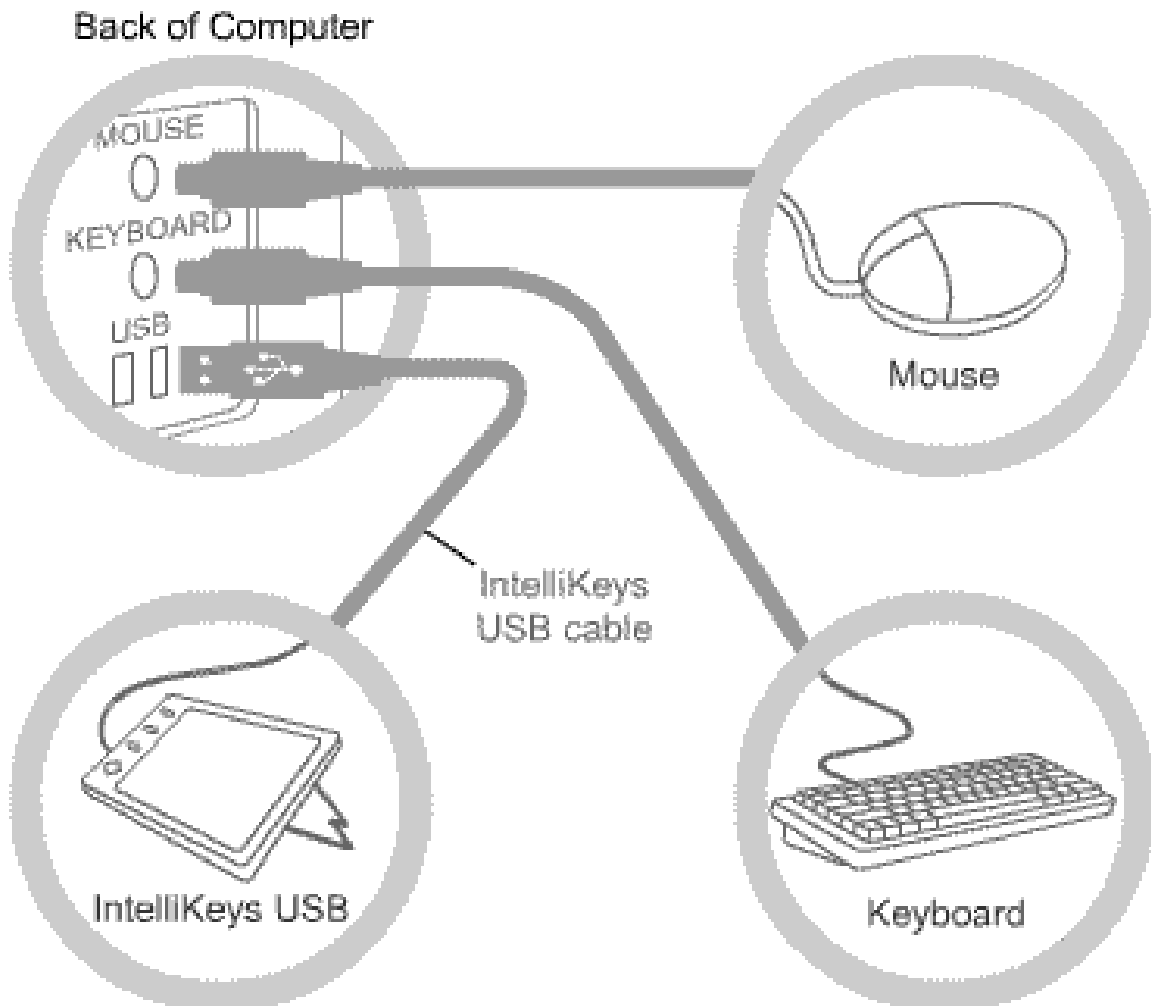


IntelliKeys USB Keyboard: Installation

Connecting IntelliKeys USB to the Computer

The IntelliKeys USB cable is used to connect IntelliKeys to the computer. One connector on this cable is attached to the computer, one to the IntelliKeys keyboard, and the last connector is attached to the standard keyboard. Both the software and the hardware (the keyboard) must be installed on a computer to operate IntelliKeys.



A. Installing the IntelliKeys USB Software on a Windows PC

NOTE: Do NOT plug in the IntelliKeys USB keyboard until after you have installed the software. Once the software is installed, you can connect and disconnect the keyboard as needed.

1. Insert the IntelliKeys USB CD into the CD-ROM drive.

NOTE: On most PCs the installation will start automatically and you can proceed directly to step 5. If your computer's CD-ROM drive is not set up for automatic installation proceed to step 2.

2. Double-click the **My Computer** icon on your desktop. A CD-ROM icon named **IntelliKeys USB** will be listed in the content window that appears.

NOTE: If you have older IntelliTools software loaded on the computer, a warning message may appear, stating "The installer has detected that your current overlay sending software is not compatible with Windows 2000-IntelliKeys USP". If so, consult your assistive technology technician before continuing with the installation.

3. Right-click the **IntelliKeys USB CD-ROM** icon and select **Explore** from the menu that appears. This action displays the contents of the IntelliKeys USB CD.
4. Double-click the **setup.EXE** icon in the content window that appears. This starts the automated installation process.
5. Follow the installation instructions that appear on-screen. Click **Finish** when the **Installation Complete** dialog box appears. Restart your computer when prompted.

RESULT: The IntelliKeys USB program is stored in a folder labeled **IntelliKeys USB**. This folder is located in a folder labeled **ITools** (IntelliTools) on the computer's main drive (usually the C drive). The IntelliKeys USB control panel is added to Settings\Control Panel in the Start menu.

A. Installing the IntelliKeys USB Software on a Mac Computer

NOTE: Do NOT plug in the IntelliKeys USB keyboard until after you have installed the software. Once the software is installed, you can connect and disconnect the keyboard as needed.

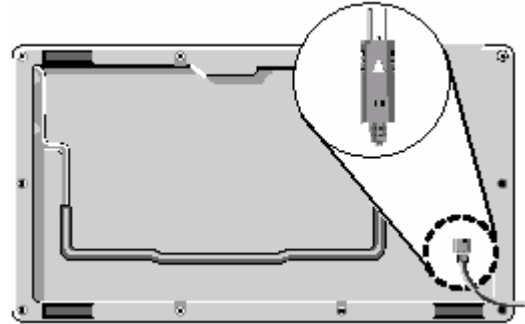
1. Insert the IntelliKeys USB CD into the CD-ROM drive. A CD-ROM icon labeled **IntelliKeys USB** will appear on the desktop along with an open folder labeled IntelliKeys USB CD.
2. Double-click the **IntelliKeys USB Installer** icon in the IntelliKeys USB folder. This starts the automated installation process.
3. Read the **Read Me** document and click **Continue**. Follow the on-screen instructions to complete the installation. Restart your computer when prompted.

RESULT: The IntelliKeys USB program is stored in a folder labeled **IntelliKeys USB**. This folder is located in a folder labeled IntelliTools on the computer's main drive. The IntelliKeys USB control panel is added to the System Folder.

B. Installing the IntelliKeys USB Keyboard to the Computer

After the IntelliKeys USB software has been installed on your computer you may install the keyboard.

1. Plug the square end of the USB connector cable into the socket located on the back of the IntelliKeys USB keyboard. One side of the connector cable has a triangle on it. The triangle should face away from the keyboard.

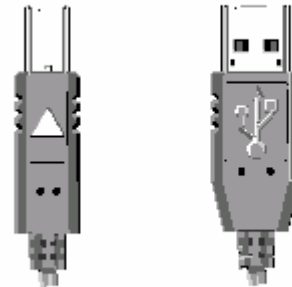


TIP: It may be easier to insert the connector cable into the socket in the back of the IntelliKeys USB keyboard when the keyboard is turned upside down (with the socket facing up).

2. Plug the flatter, rectangular end of the connector cable into a USB port on your computer or into a USB port on a hub connected to your computer. In one position the cable end fits properly into the USB port. If you encounter resistance, try turning the cable end over and plugging it in again.

Connect to socket on
back of IntelliKeys USB

Connect to USB port
of your computer



IntelliKeys USB connector cable ends

3. If it is not on, start your computer. IntelliKeys USB is hot-swappable. This means you can connect your keyboard to a computer even when the computer is on. You can also disconnect your keyboard when the computer is still on.
4. Swing the slant bar out from the back of the keyboard if you want to position the IntelliKeys USB keyboard at an angle.
5. IntelliKeys USB has an On/Off switch. This allows you to turn the keyboard off when it is not in use, without having to disconnect the keyboard from the computer. Locate the On/Off switch on the top edge of the keyboard (the symbol for On is “I” and the symbol for Off is “O”).
6. Press On. You will hear a tone accompanied by flashing indicator lights. You have finished installing IntelliKeys.